



**MULTI-PURPOSE FIBER OPTIC
DISPLACEMENT SENSOR**

Compatible with **WLPI** series of signal conditioners

Key Features

- 25 mm linear stroke length standard
- Outstanding resolution
- Robust construction and water splash proof housing
- EMI/RFI and microwave immune
- Intrinsically safe
- Convenient wall mount attachment
- OEM-type and custom version

Applications

- EM, RF and microwave environments
- High voltage environments
- Nuclear and hazardous environments
- Automotive, robotic systems
- Aeronautic & aerospace applications
- Civil engineering and geotechnical applications
- Material science
- RF and microwave drying applications

Description



Opsens' ODP-A fiber optic displacement sensor is designed to offer high precision in the most demanding environments. Combined with Opsens' WLPI signal conditioning technology (# 7,259,862) and with the inherent advantages of fiber optics, the ODP-A delivers unprecedented repeatability, resolution and reliability in the most adverse conditions such as high level of EM, RF, MR and microwave field environments.

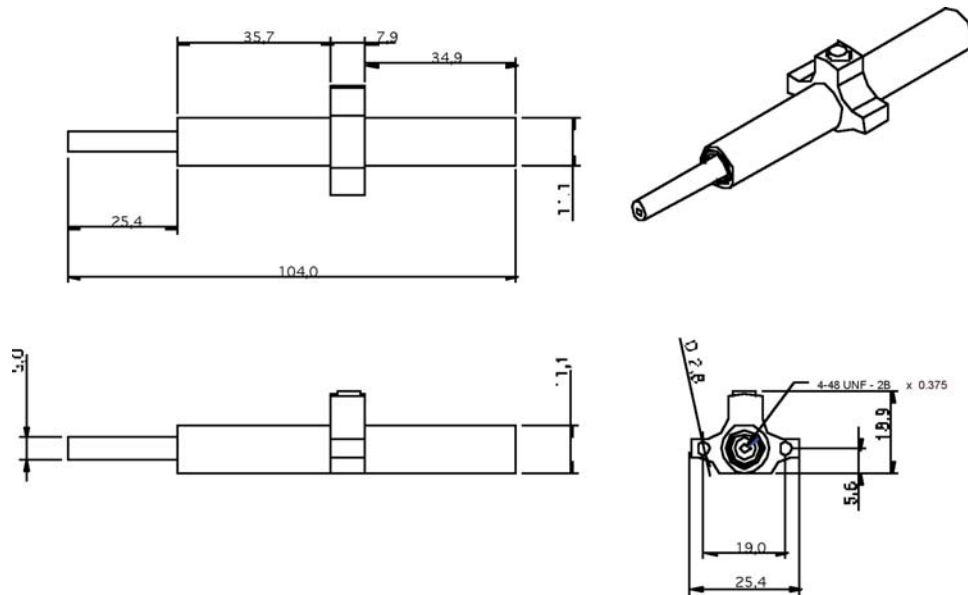
The standard model comes with 25 mm linear stroke length and with one micron resolution. Other stroke lengths are available upon request. The ODP-A is mounted in a water splash-proof aluminium housing and a dielectric composite housing is offered in option. A convenient wall-mount attachment and a shaft spring return allow easy installation of the sensor.

The ODP-A is compatible with all Opsens' WLPI signal conditioners. This precise and robust sensor, available with different optical cables length is customizable according to customer specific applications or for OEM-type applications.

Opsens

2014 Cyrille-Duquet Street
Suite 125
Quebec City QC
G1N 4N6 Canada

 1.418.682.9996
 1.418.682.9939
Info@opsens.com
www.opsens.com



Specifications

Linear stroke length	25 mm standard (other stroke lengths available upon request)
Resolution	1 micron (based on 20 data samples averaging)
Accuracy	0.2% F.S. (@ 25 °C)
Repeatability	0.05% F.S.
Operating temperature range	-40 to 85 °C (higher or lower temperature range available upon request)
Operating humidity range	0-100 %
EMI/RFI susceptibility	Complete immunity
Construction material	Aluminium housing and stainless steel core (dielectric composite material available upon request)
Load mechanism	Spring return for fully extended shaft at rest (spring load can be removed)
Cable length	1.5 meter standard (other lengths available upon request)
Optical connector	SC standard
Signal conditioner compatibility	All Opsens WLPI signal conditioners

All specifications are subject to change without prior notifications